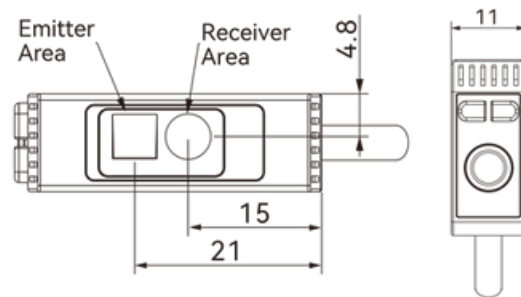
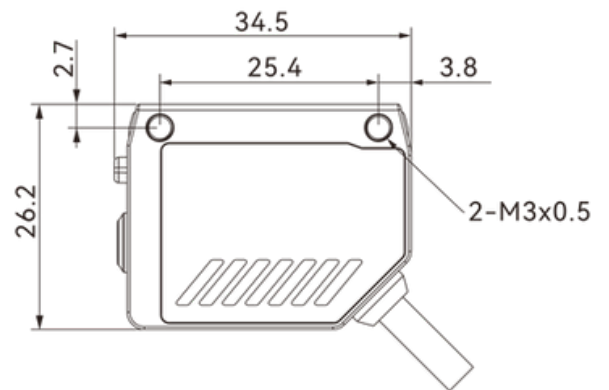


VXT/TOF/2M-BN

Laser Photoelectric Diffused Sensor (TOF)



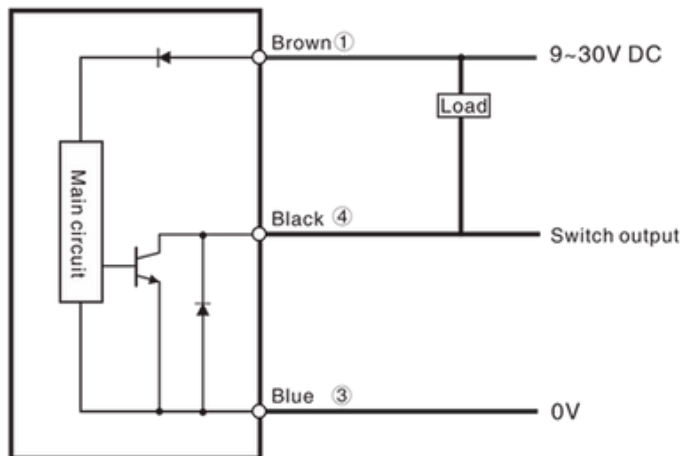
Working principle	TOF principle
Housing style	Square
Optical working principle	TOF (Time of Flight)
Detection Range	0.05~2m
Spot Size	<5mm@2m
Detected Object	≥φ5mm opaque object
Light Source	Laser diode 650nm, Class 2

Technical data

Indicator light	Output Indicator Light: Orange Power Indicator Light: Green
Sensitivity Adjustment	Button setting
Switch Mode	NC/NO switchable
Output Mode	NPN open collector
Response Time	1ms
Switching frequency	< 10mm
Repeatability	<20%
Operating Voltage	9~30V DC
Current consumption	<30mA@24V
Residual Voltage	<1V(Load current<100mA)
Load Current	≤100mA
Insulation Resistance	≥50MΩ(500VDC)
Withstand Voltage	1000VAC (50/60Hz)
Protecti On Circuit	Reverse polarity protection/short circuit protection
Operating temperature	-20°C~+55°C(No Freezing)
Operating humidity	35%~85%RH(No Condensation)
Ambient light	Incandescent Lamp ≤ 3000 Lux; Sunlight ≤ 10000 Lux
Vibration Resistance	10~55Hz, amplitude 1.5mm, 2 hours each in X/Y/Z axes
Maximum Tightening Torque	IP54
Maximum Tightening Torque	0.5N·m
Connection Method	Φ4.0*2M/3 Black cable
Dimensions	34.5*26.2*11mm
Weight	0.05kg

Connecting Diagram (NPN-Output)

NPN Output



1. Please connect the sensor as per above wiring diagram .
2. If the wires are not connected as per connection diagram shown above, the sensor may get defective or not work

VoxinTech

Email: info@voxintech.com

Website: www.voxintech.com