

VTFCM/5K-NA-R

Optical Fiber Amplifier

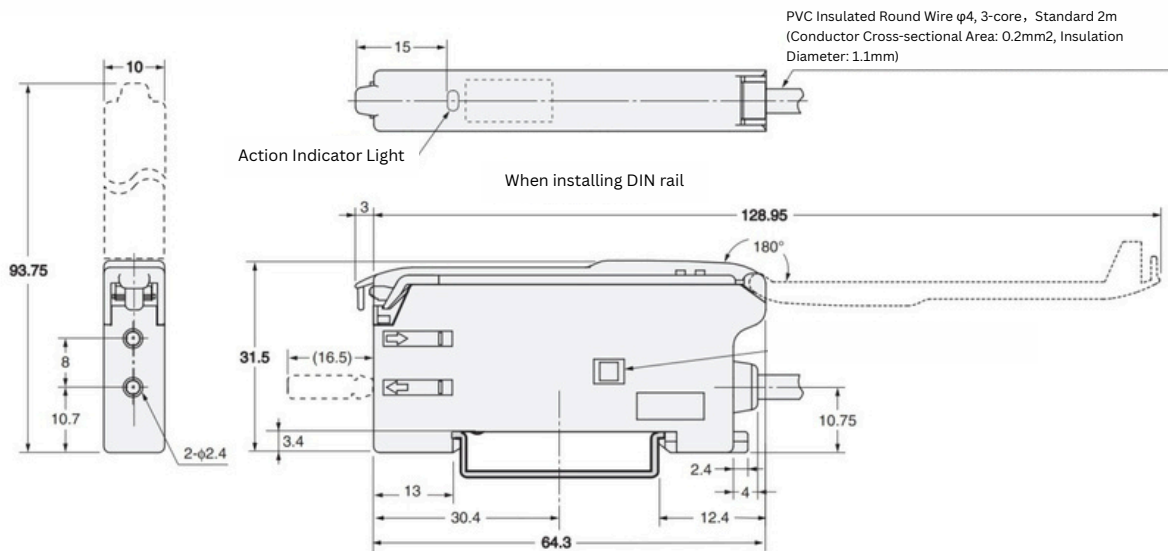


Working principle	Optical Fiber Amplifier
Light Source	Red Light Emitting Diode
Housing Material	PBT , Cover PC
Operating Voltage	10-30V DC
Allowable Ripple Voltage	< 10%
No-load Current	< 10mA
Maximum Load Current	200mA

Technical Data

Leakage Current	< 0.01mA
Voltage Drop	< 1.5V
Output mode	NPN
Response Time	Action and Reset: less than 200 microseconds each
Sensitivity Adjustment	8 Turn the full rotation knob
Repeatability	< 1.0% (Sr)
Protection rating	IP50
Ambient Temperature	-25~+55°C
Short-circuit protection	Yes
Operating Current	220mA
Ambient Light	Illuminance on Light-receiving Surface: Incandescent Lamp: Below 10,000 lx, Sunlight: Below 20,000 lx
Connection Method	Default 2m Oil-resistant PVC (Length customizable)

VTFCM/5K-NA-R



VoxinTech

Email: info@voxintech.com

Website: www.voxintech.com