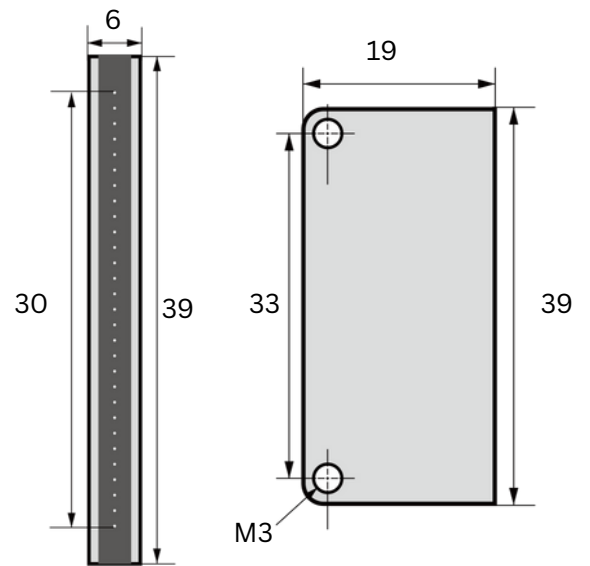


VTFA/30TR-2M

Fiber Optic (Opposing type)



Working principle	Fiber Optic Matrix Opposite-directional Detection Type
Detection height	30mm
Optical working principle	Matrix Opposite-directional Detection Type
Fiber head type	Opposing type
Fiber length	2meters cable
Fiber diameter	Ø 1 mm
Fiber arrangement	Standard

Technical Data

Core construction	Transmit: 1, receive: 1
-------------------	-------------------------

Thread Size	M3
-------------	----

Bend Radius	25mm
-------------	------

Material	Stainless steel + polyethylene
----------	--------------------------------

Fiber can be cut short	Short convex tube
------------------------	-------------------

VoxinTech

Email: info@voxintech.com

Website: www.voxintech.com
