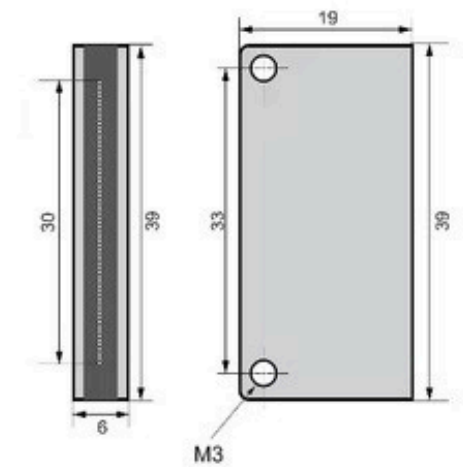


VTFA/30D-2M

Fiber Optic (Diffuse Reflection)



Working principle	Fiber optic (Diffuse Reflection)
Detection height	30mm
Optical working principle	Diffuse reflection
Fiber head type	Array Type
Fiber length	2meters cable
Fiber diameter	Ø 1 mm
Fiber arrangement	Standard

Technical Data

Core construction	Transmit: 1, receive: 1
Integrated lens	No lens
Bend Radius	25mm
Material	Stainless steel + polyethylene
Fiber can be cut short	Short convex tube

VoxinTech

Email: info@voxintech.com

Website: www.voxintech.com