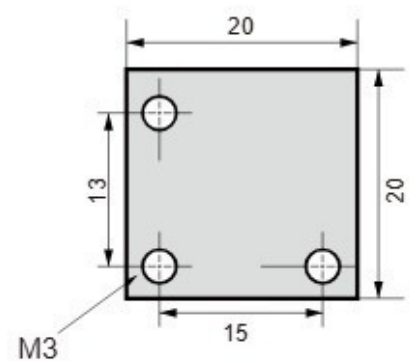
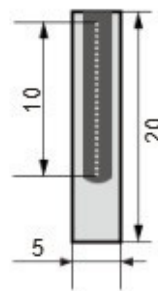


VTFA/10D-2M

FiberOptic (Array-type Diffuse Reflection)



Working principle	Array-type diffuse reflection
Detection height	10mm
Optical working principle	Diffuse reflection
Fiber head type	Array Type
Fiber length	2meters cable
Fiber diameter	Ø 1 mm
Fiber arrangement	Standard

Technical Data

Core construction	Transmit: 1, receive: 1
-------------------	-------------------------

Integrated lens	No lens
-----------------	---------

Bend Radius	25mm
-------------	------

Material	Stainless steel + polyethylene
----------	--------------------------------

Fiber can be cut short	Short convex tube
------------------------	-------------------

VoxinTech

Email: info@voxintech.com

Website: www.voxintech.com
