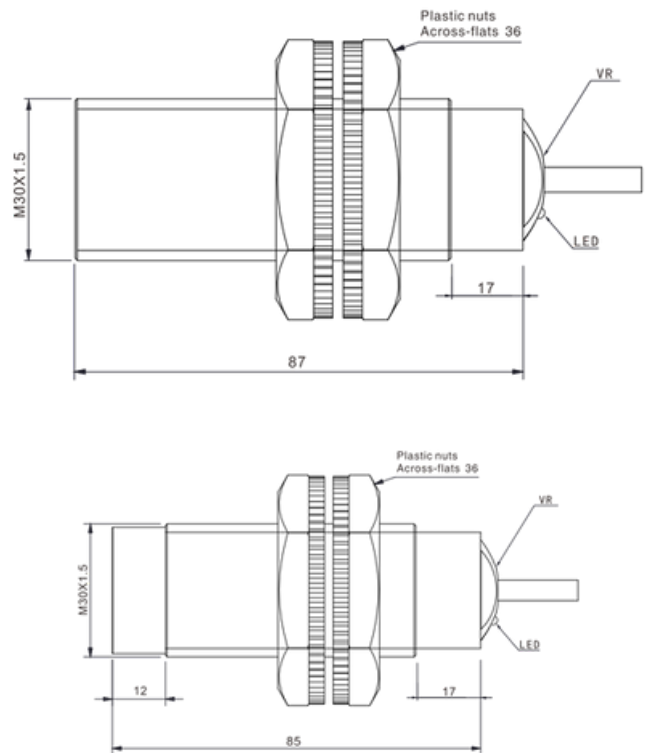


VTC18/8P-0A

Capacitive Sensor

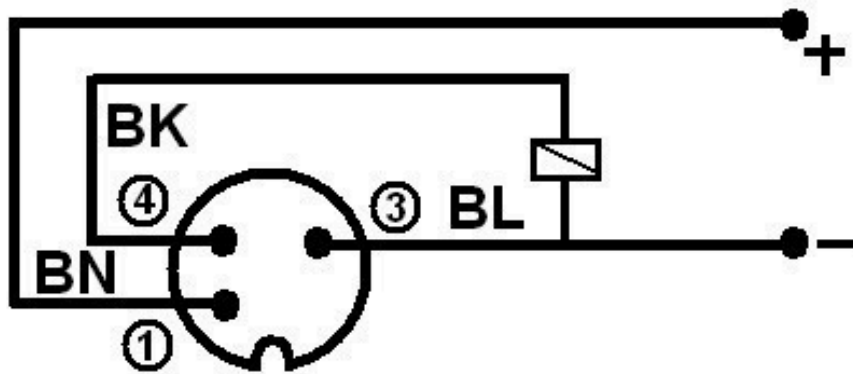


Working principle	Capacitive sensor
Housing style	Cylindrical
Installation type	Flush
Sensing distance	8.0mm
Thread size	M18
Sensing SurfaceMaterial	PBT
Detected objects	Metal, liquid, powder, wood, paper, plastic and other materials

Technical data

Indicator	Operating status: LED
Sensing range adjustment	Available
Switching output	Normally
Output Mode	Open PNP
External input	None
Switching frequency	0.1 kHz
Repeatability	5%
Hysteresis	15%
Operating Voltage	10~30V DC±10%
Current consumed	≤10mA
Residual Voltage	≤2V
Insulation Resistance	≥50MΩ (500VDC) between power terminal and housing
Load Current	300mA
ProtectiOn Circuit	Reversepolarityprotection/short circuit protection
Operating temperature	-25~75°C
Operating humidity	35~85%
Circuit Protection	< 0.01 mA
Vibration Resistance	10 to 55Hz, amplitude 1.5mm, X/Y/Z axis, 2 hours each
Protection rating	IP67
Leakage Current	< 0.01 mA
Connection Type	2m/3 wire cable
Dimension	M18X43.5 mm
Weight	0.08kg
Material	PBT
Accessories	Nut M18x1.0
Dielectric strength	1000VAC (50/60Hz), 1 minute between the power terminal and housing

Connecting Diagram (PNP-Output)



1. Please connect the sensor as per above wiring diagram .
2. If the wires are not connected as per connection diagram shown above, the sensor may get defective or not work

VoxinTech

Email: info@voxintech.com

Website: www.voxintech.com