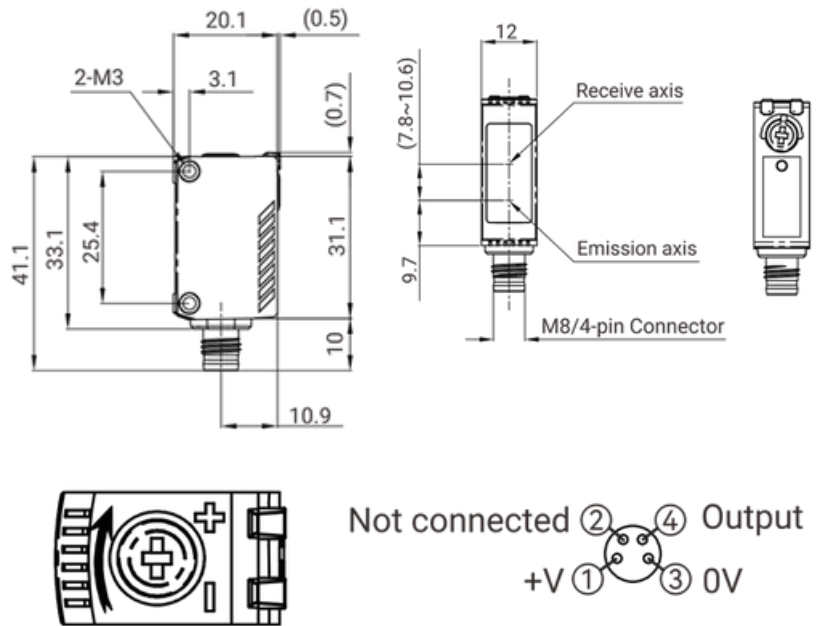


VTPE/D30-PA-IR

Photoelectric Sensor

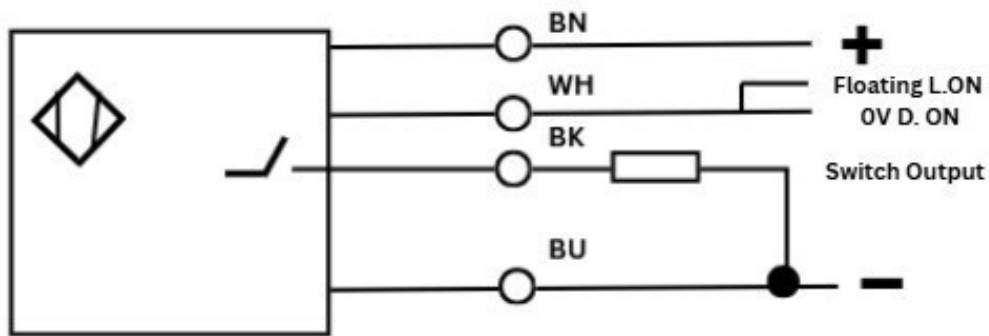


Working principle	Photoelectric Sensor
Housing style	Square
Optical working principle	Background suppression diffuse reflection
Detection Range	1~300mm
Set distance	25~300mm
Detected Object	≤5mm
Light Source	Infrared LED 940nm (modulated)

Technical Data

Indicator light	Operation: Green; Output: Red
Sensitivity Adjustment	6 turns potentiometer
Switch Mode	L.on (light entry action) /D.on (light blocking action) can be switched
Output Mode	PNP open collector
Response Time	1ms
Switching frequency	2kHz
Repeatability	≤5%
Operating Voltage	10~30V DC
Current consumed	≤25mA
Residual Voltage	1.5 V or less
Load Current	≤100mA (30VDC)
Insulation Resistance	20 m Ω
Withstand Voltage	≤0.1mA (1000V AC)
ProtectiOn Circuit	Reverse polarity protection/surge protection/short circuit protection
Operating temperature	-25~55°C(without freezing)
Storage Temperature	-30~+70°C
Operating humidity	35~85%RH (no condensation)
Ambient light	Incandescent lamp ≤3000 Lux; Sunlight exposure ≤ 10,000 Lux
Protection rating	IP65
Vibration Resistance	10~50Hz, 0.5mm amplitude, 2 hours in each direction X, Y and Z
Material	ABS with fiberglass
Weight	0.049 kg
Connection method	2M/ 4-core cable
Dimensions	11.0x20.0x31.0mm
Accessories	Screwdriver

Connecting Diagram (PNP-Output)



1. Please connect the sensor as per above wiring diagram .
2. If the wires are not connected as per connection diagram shown above, the sensor may get defective or not work

VoxinTech

Email: info@voxintech.com

Website: www.voxintech.com