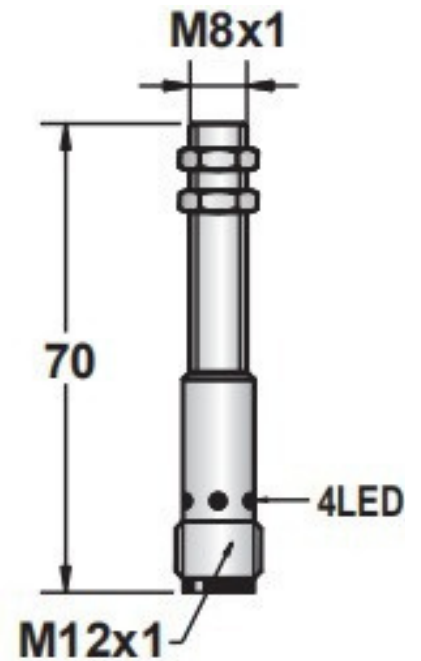


# MFT/8P-C124

**Inductive Proximity Sensor (Metal Face Teflon Coated Anti Welding Spatter)**



<b>Installation type</b>	Flush
<b>Detection distance</b>	2mm
<b>Voltage</b>	10-30VDC
<b>Output polarity</b>	PNP NO
<b>Connection mode</b>	M12 connector
<b>Shell material</b>	Stainless steel teflon coated
<b>Other notes</b>	

## Technical data

Installing Flush

Sensing distance 2mm

LED display Yes

Operation voltage 10-30VDC

Ripple <10%

No load current <10mA

Max load current 200mA

Leakage current <0.01mA

Voltage drop <1.5v

Frequency 1KHZ

Response time 0.1ms

Hysteresis <15%sr

Repeat accuracy <1.0%sr

Protection category IP67

Operating temperature -25°C----+70°C

Temperature drift <10%sr

Short circuit protection/reverse polarity protection Yes

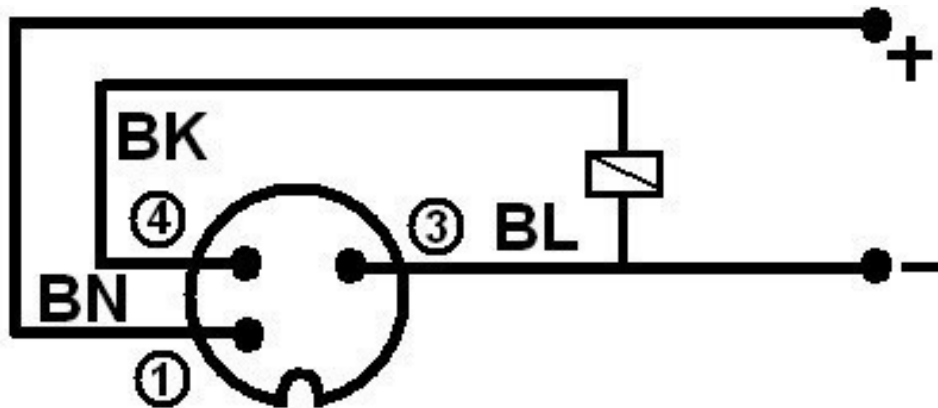
Overload trip point 220mA

Material active face Stainless steel teflon coated

Connecting way M12 connector

## Connecting Diagram (PNP-NO)

---



- 
1. Please connect the proximity switch as per wiring diagram

**VoxinTech**

---

**Email:** [info@voxintech.com](mailto:info@voxintech.com)

**Website:** [www.voxintech.com](http://www.voxintech.com)