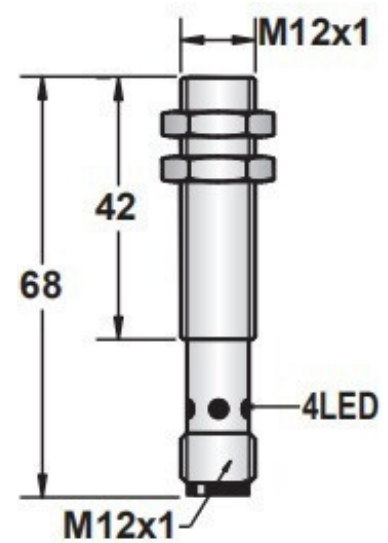


# MFT/12P-C124

## Inductive Proximity Sensor

(Metal Face Teflon Coated Anti Welding Spatter)



<b>Installation type</b>	Flush
<b>Detection distance</b>	4mm
<b>Voltage</b>	10-30VDC
<b>Output polarity</b>	PNP NO
<b>Connection mode</b>	M12 connector
<b>Shell material</b>	stainless steel Teflon Coated

---

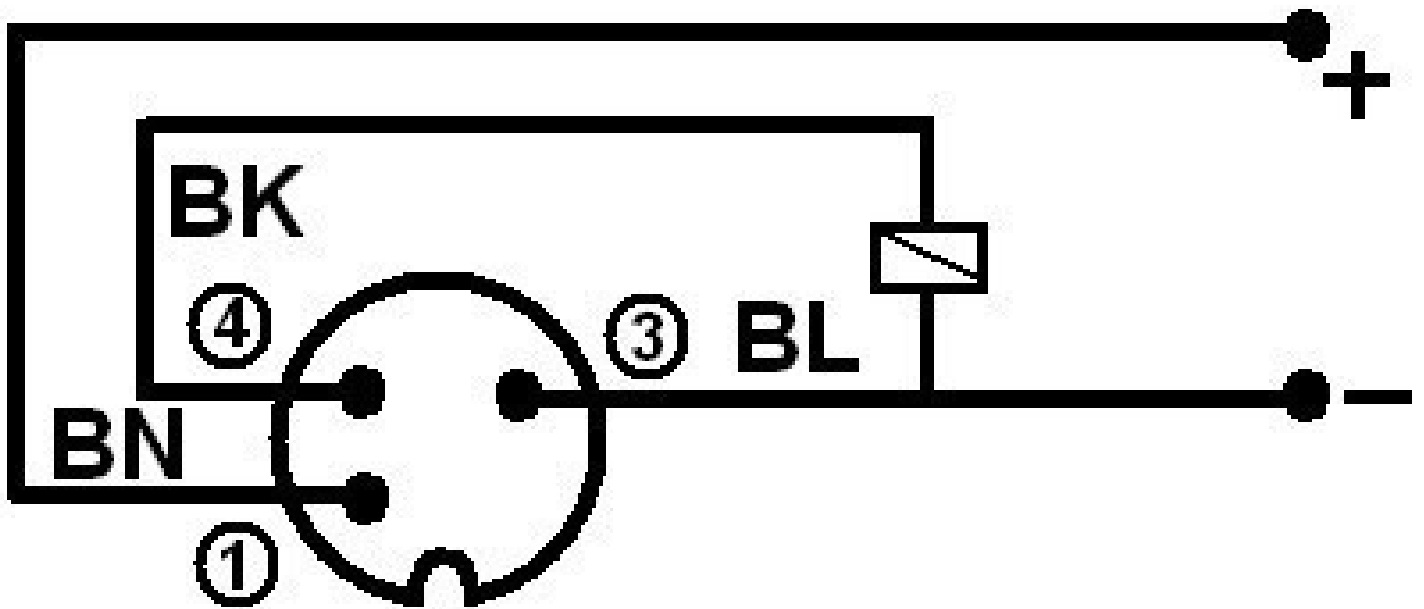
## Technical data

Installing	Flush
Sensing distance	4 mm
LED display	Yes
Operation voltage	10-30VDC
Ripple	<10%
No load current	<10mA
Max load current	200mA
Leakage current	<0.01mA
Voltage drop	<1.5v
Frequency	1KHZ
Response time	0.1ms
Hysteresis	<15%sr
Repeat accuracy	<1.0%sr
Protection category	IP67
Operating temperature	-25°C----+70°C
Temperature drift	<10%sr
Short circuit protection/reverse polarity protection	Yes
Overload trip point	220mA
Material active face	Stainless steel Teflon Coated
Connecting way	M12 connector

---

## Connecting Diagram (PNP-NO)

---



1. Please connect the proximity switch as per wiring diagram
2. If the 3 wires are not connected as per connection diagram shown, the switch will not be damaged and will not work .

**VoxinTech**

**Email:** [info@voxintech.com](mailto:info@voxintech.com)

**Website:** [www.voxintech.com](http://www.voxintech.com)