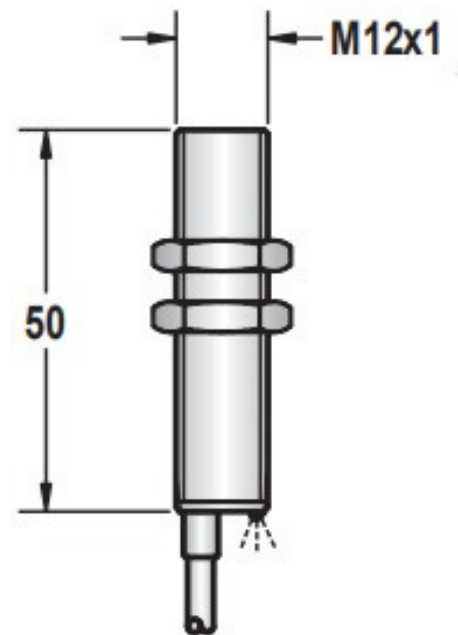


MFT/12N-2M

Inductive Proximity Sensor (Metal Face Teflon Coated Anti Welding Spatter)

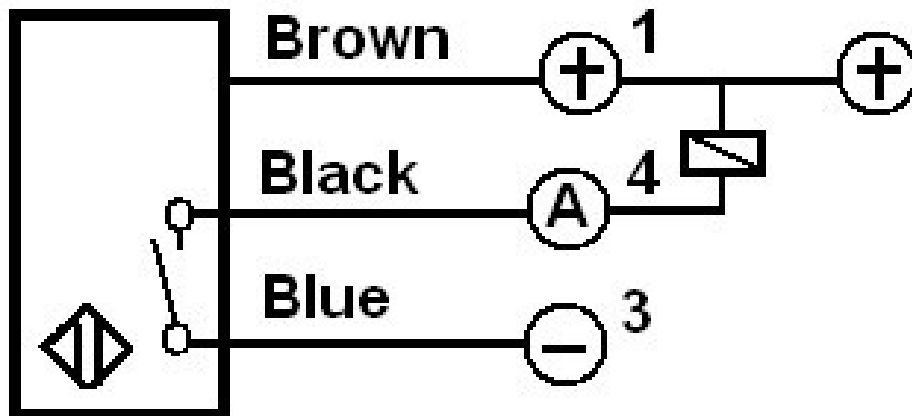


Installation type	Flush
Detection distance	4mm
voltage	10-30VDC
Output polarity	NPN NO
Connection mode	2 M cable
Shell material	Stainless steel teflon coated
Other notes	

Technical data

Installing	Flush
Sensing distance	4mm
LED display	Yes
Operation voltage	10-30VDC
Ripple	<10%
No load current	<10mA
Max load current	200mA
Leakage current	<0.01mA
Voltage drop	<1.5v
Frequency	1KHZ
Response time	0.1ms
Hysteresis	<15%sr
Repeat accuracy	<1.0%sr
Protection category	IP67
Operating temperature	-25°C-----+70°C
Temperature drift	<10%sr
Short circuit protection/reverse polarity protection	Yes
Overload trip point	220mA
Material active face	Stainless steel teflon coated
Connecting way	2 M cable

Connecting Diagram (NPN-NO)



-
1. Please connect the proximity switch as per wiring diagram
 2. If the 3 wires are not connected as per connection diagram shown, the switch will not be damaged and will not work .

VoxinTech

Email: info@voxintech.com

Website: www.voxintech.com
