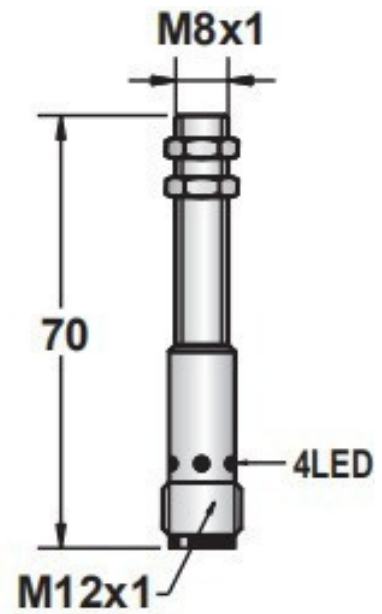


# MF/8N-C124

## Inductive Proximity Sensor



<b>Installation type</b>	Flush
<b>Detection distance</b>	2mm
<b>Voltage</b>	10-30VDC
<b>Output polarity</b>	NPN NO
<b>Connection mode</b>	M12 connector
<b>Shell material</b>	Stainless steel
<b>Other notes</b>	

---

## Technical data

Installing	Flush
------------	-------

Sensing distance	2mm
------------------	-----

LED display	Yes
-------------	-----

Operation voltage	10-30VDC
-------------------	----------

Ripple	<10%
--------	------

No load current	<10mA
-----------------	-------

Max load current	200mA
------------------	-------

Leakage current	<0.01mA
-----------------	---------

Voltage drop	<1.5v
--------------	-------

Frequency	1KHZ
-----------	------

Response time	0.1ms
---------------	-------

Hysteresis	<15%sr
------------	--------

Repeat accuracy	<1.0%sr
-----------------	---------

Protection category	IP67
---------------------	------

Operating temperature	-25°C----+70°C
-----------------------	----------------

Temperature drift	<10%sr
-------------------	--------

Short circuit protection/reverse polarity protection	Yes
--	-----

Overload trip point	220mA
---------------------	-------

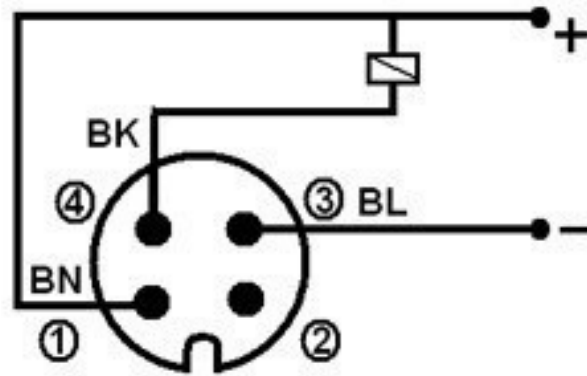
Material active face	Stainless steel
----------------------	-----------------

Connecting way	M12 connector
----------------	---------------

---

## Connecting Diagram (NPN-NO)

---



---

1. Please connect the proximity switch as per wiring diagram

**VoxinTech**

---

**Email:** [info@voxintech.com](mailto:info@voxintech.com)

**Website:** [www.voxintech.com](http://www.voxintech.com)