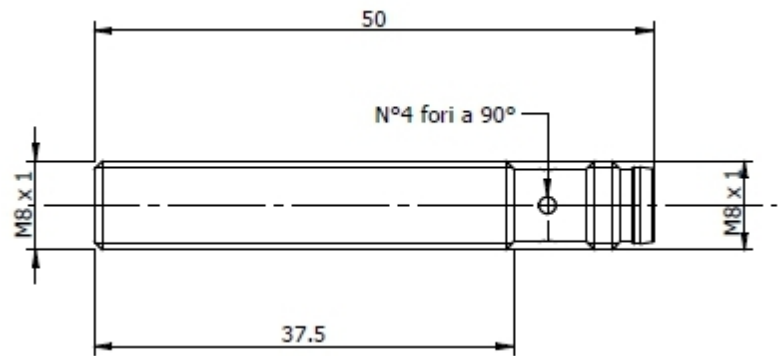


VTMF8N-C083

cylindrical full metal inductive



Detection properties

Nominal sensing distance	2mm
Operanting distance	0...1,62mm
Standard target	8x8mm FE360
Correction Factor	Copper: 0/Aluminium: 0/Brass: 0/Stainless Steel: 0,3
Thermal drift of Sr	< 10%
Repeat Accuracy	5% (UB 24V Ta=23°C ±5°C)
Hysteresis	1...20%

Outputs

Output type	NPN
Output Function	NO
Switching frequency	250Hz

Electrical data

Operating Voltage	10...30Vdc
No-Load supply current	≤ 10mA
Load current	≤ 200mA
Leakage current	≤ 10μA
Output voltage drop	≤ 1,5V @200mA
Max ripple content	≤10%
LED indicators	Yellow LED output state
Time delay before availability	≤ 50ms
Short-circuit protection	Yes (auto-reset)
Reverse Polarity Protection	Yes
Protection against inductive loads	Yes

Mechanical data

Mounting	Shielded
Dimensions	M8 x 1 / L = 50mm
Weight	7g
Housing Material	stainless steel AISI316L
Connections	M8 Plug
Active Head Material	stainless steel AISI316L
Tightening torque	5Nm
Operating temperature	-25°C...+70°C
0,25mm	0,25mm
Diameter/Dimension	M8

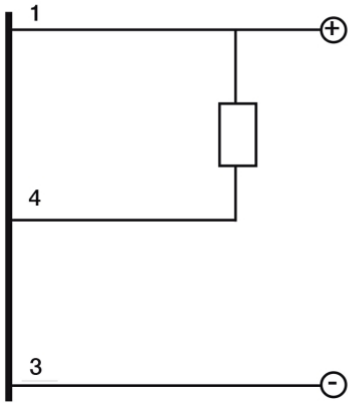
Test/Approvals

Approvals	CE cULus
EMC compatibility	IEC 60947-5-2
Shocks and vibrations	Vibration IEC 60068-2-6 / Shock IEC 60068-2-27
Degree of protection	IP68, IP69K
IK05	IK05
80bar	80bar

Accessories

Supplied Accessories	2 nuts M8x1
----------------------	-------------

ELECTRICAL DIAGRAMS OF THE CONNECTIONS

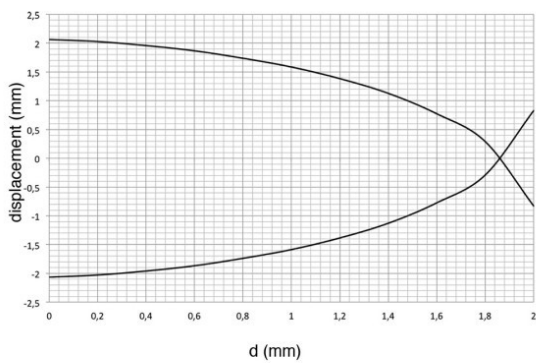


CONNECTOR



RESPONSE CURVES

Parallel Offset



VOXIN TECH.

419, Tower-C, Noida One , Plot no-8

Block-B, Sector-62, Noida-20130

E-mail info@voxintech.com