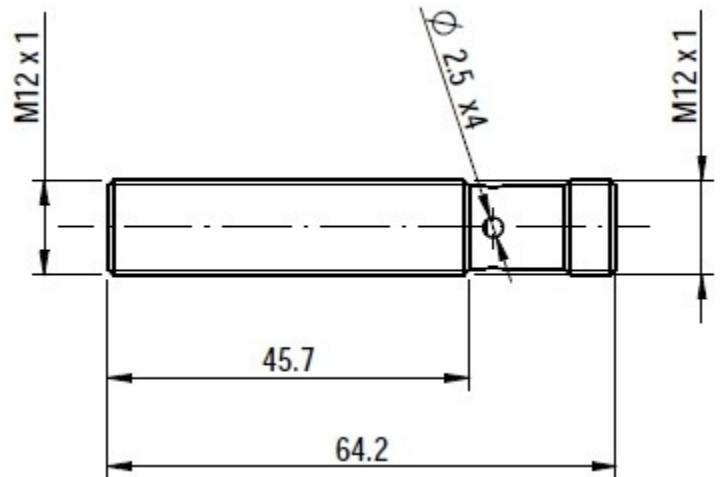


# VTMF12P-C124

cylindrical full metal inductive



## Detection properties

Nominal sensing distance	3mm
Operanting distance	0...2,43mm
Standard target	12x12mm FE360
Correction Factor	Copper 0 / Aluminium: 0 / brass: 0,1 / stainless steel: 0,53
Thermal drift of Sr	< 10%
Repeat Accuracy	5% (UB 24V Ta=23°C ±5°C)
Hysteresis	1...20%

## Outputs

Output type	PNP
Output Function	NO
Switching frequency	200Hz

## Electrical data

Operating Voltage	10...30Vdc
No-Load supply current	≤ 10mA
Load current	≤ 200mA
Leakage current	≤ 10μA
Output voltage drop	≤ 1,5V @200mA
Max ripple content	≤10%
LED indicators	Yellow LED output state
Time delay before availability	≤ 50ms
Short-circuit protection	Yes (auto-reset)
Reverse Polarity Protection	Yes
Protection against inductive loads	Yes

## Mechanical data

Mounting	Shielded
Dimensions	M12 x 1 / L =64.2mm
Weight	24g
Housing Material	stainless steel AISI316L
Connections	M12 Plug
Active Head Material	stainless steel AISI316L
Tightening torque	10Nm
Operating temperature	-25°C...+70°C
0,25mm	0,50mm
Diameter/Dimension	M12

## Test/Approvals

Approvals	CE cULus
EMC compatibility	IEC 60947-5-2
Shocks and vibrations	Vibration IEC 60068-2-6 / Shock IEC 60068-2-27
Degree of protection	IP68, IP69K
IK05	IK05
80bar	80bar

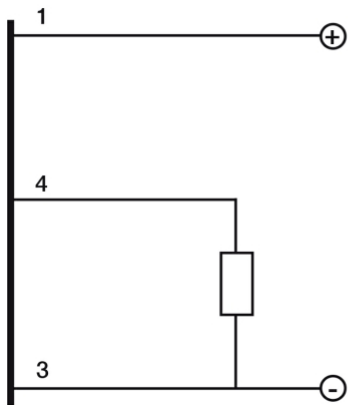
## Accessories

Supplied Accessories	2 nuts M12x1
----------------------	--------------

---

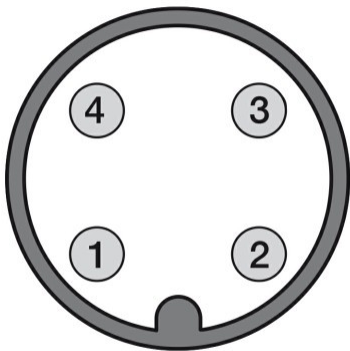
# ELECTRICAL DIAGRAMS OF THE CONNECTIONS

---



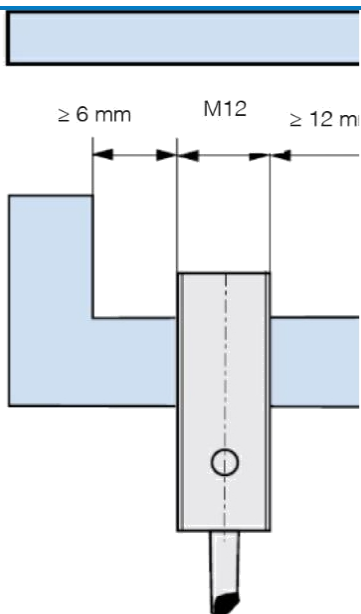
## CONNECTOR

---



## INSTALLATION

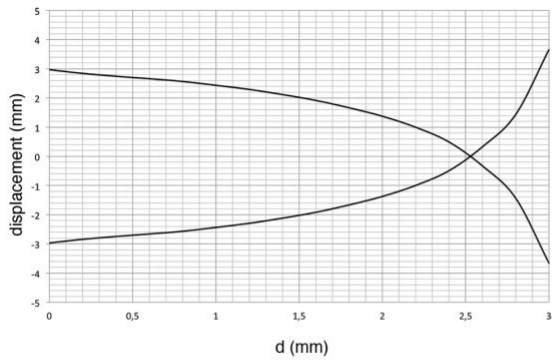
---



## RESPONSE CURVES

---

# Parallel Offset



---

## VOXIN TECH.

419, Tower-C, Noida

One, Plot no-8

Block-B, Sector-62,

Noida-20130

E-mail [info@voxintech.com](mailto:info@voxintech.com)